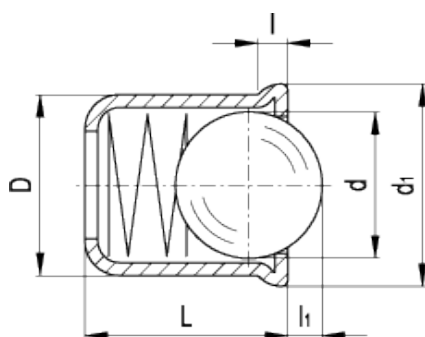


# CN 614-NI

Smooth ball spring plungers

**INOX**  
Stainless Steel



Standard Elements	Main dimensions						Spring pressure		Weight
Description	D <sup>+0.1</sup>	L	d	d <sub>1</sub>	l	l <sub>1</sub>	Preload [N~]	Max. load [N~]	g
CN 614-3-NI	3	4	2.4	3.5	0.75	0.7	1.8	3.5	1
CN 614-4-NI	4	5	3	4.6	0.9	1	2.5	6	1
CN 614-5-NI	5	6	4	5.6	0.9	1.4	3	6.5	1
CN 614-6-NI	6	7	5	6.5	1	1.8	5.5	11.5	1
CN 614-8-NI	8	9	6.5	8.5	1.1	2.4	7	12.5	2
CN 614-10-NI	10	13	8.5	11	1.7	3.3	8.5	18.5	3
CN 614-12-NI	12	16	10	13	2.3	4	12	26.5	4



technical informations

**Body**

Stainless steel.

**Ball and spring**

Hardened stainless steel ball, stainless steel spring.

**Features and applications**

Stainless steel, thanks to its high resistance to corrosion, allows the application of these smooth plungers on machines and equipment in those sectors where laws or particular hygienic, climatic and environmental factors make it mandatory to use corrosion resistant materials.

*Accessories*

Holders for spring plungers type [CN 614.1](#) to optimise the use of CN 614-NI smooth ball spring plungers.

