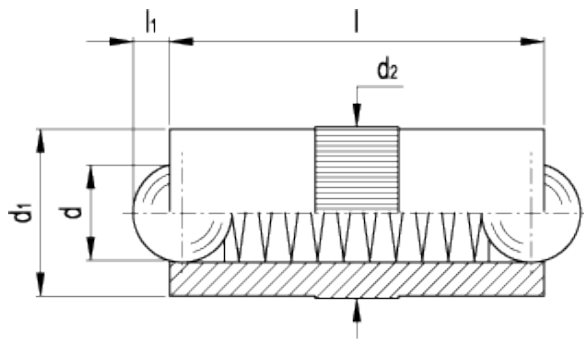


# CN 614.2

Double ended smooth balls spring plungers



Standard Elements	Main dimensions					Spring pressure		Weight
	Description	$d_1$	$d$	$d_2^{+0.05}$	$l$	$l_1$	Preload [N~]	
CN 614.2-2.5	2.5	2	2.52	5.3	0.65	1.3	2.5	1
CN 614.2-3	3	2.5	3.02	7.3	0.8	2	4.5	1
CN 614.2-4	4	3	4.03	9	0.9	2.5	7.5	1
CN 614.2-5	5	4	5.03	10.8	1.2	3.5	8	1
CN 614.2-7	7	6	7.03	14	2	4	12	3
CN 614.2-8	8	6.5	8.03	18	2.1	6	15	5



## technical informations

### Body

Brass with central horizontal knurling.

### Balls and spring

Hardened stainless steel balls, stainless steel spring.

### Features and applications

CN 614.2 double ended smooth balls spring plungers represent a further development of plungers type [CN 614](#) for special applications.

---