

Item description/product images



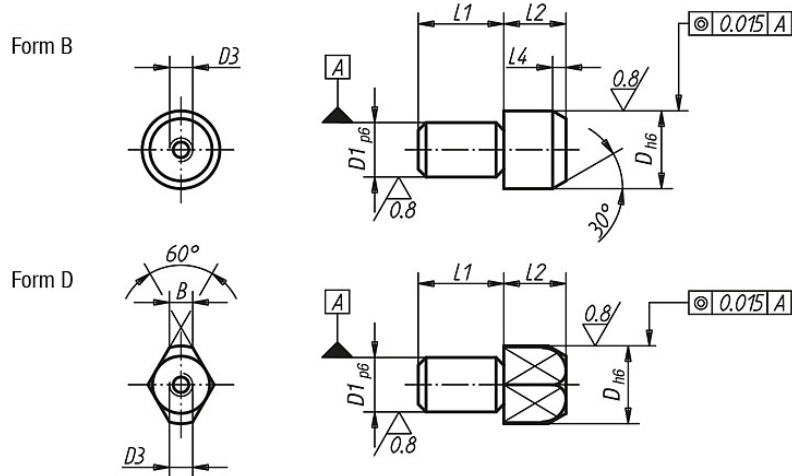
Description

Material:
Tool steel

Surface finish:
hardened and ground (HRC 55-60).

Note:
Locating pins can be removed easily with an extractor

Drawings



Overview of items

Order No. Form B	Order No. Form D	D	D1	D3	L1	L2	L4	B
03106-10	03106-102	10	7	M3	11	11	3	-/3
03106-12	03106-122	12	8	M5	13	12	4	-/3,5
03106-16	03106-162	16	12	M5	18	14	4,5	-/5
03106-20	03106-202	20	14	M5	22	15	5	-/6
03106-22	03106-222	22	16	M5	22	17	5	-/7
03106-25	03106-252	25	18	M5	25	17	5	-/8